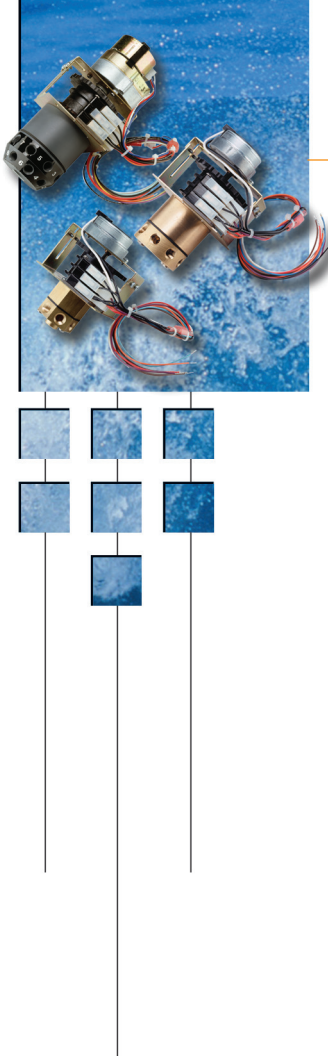


Osmonics®

AquaMatic® Series Product Specifications

Stagers



The AquaMatic® stager is a motor-driven rotary multiport pilot valve, which is used to control a set of individual diaphragm valves in a predefined sequence. Stagers are constructed of durable, non-corroding, self-lubricating material for long and trouble-free operation. Stagers are driven by an electric motor and are controlled by AquaMatic programmable controllers or adjustable timers. In the event of a power failure, AquaMatic brand stagers can be manually advanced through all positions.

The stager functions by pressurizing and venting the control ports, allowing valves to open and close in a predefined sequence. The control pressure to the stager, either hydraulic or pneumatic, must be constant and equal to or greater than the line pressure in the system.

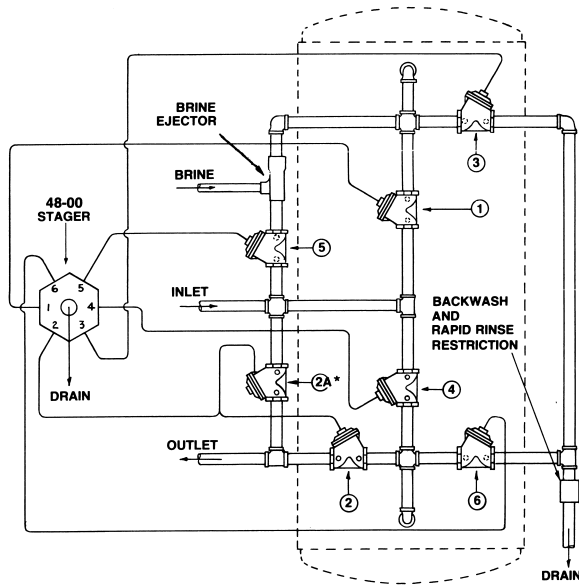
Optional Features

- Electrical.....The stagers can be supplied in a NEMA-rated enclosure or without enclosure and can be supplied with a maximum of two extra auxiliary cams and switches (SPDT) for electrical outputs in any position. All stagers are available for use in 120VAC, 220VAC, 12VAC and 24VAC configurations.
- Hydraulic/Pneumatic.....Standard stagers are designed to operate normally open (pressure to close) valves. Optional stagers can be supplied with an inverted program to operate normally closed (pressure to open) valves.

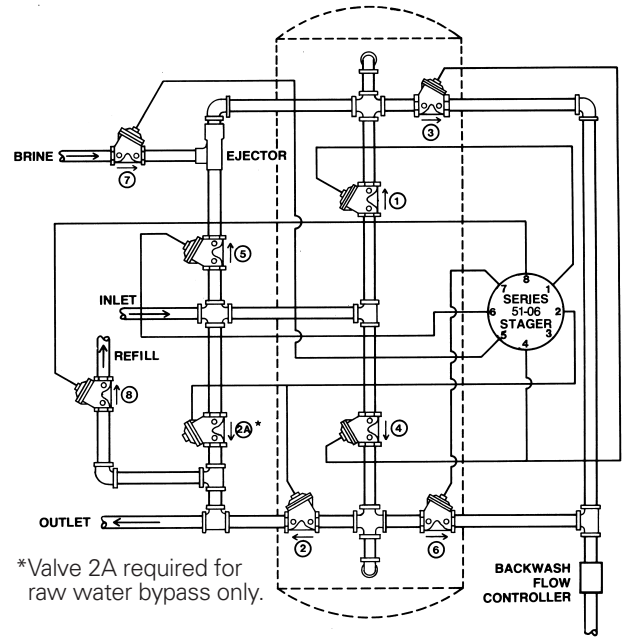
Stager Specifications

| STAGER SERIES | MODEL 48 | MODEL 51 | MODEL 58 | MODEL 96 |
|----------------------------|-----------|-----------|-----------|----------|
| ■ Max. Pressure PSI (bar) | 125 (8.6) | 125 (8.6) | 125 (8.6) | 250 (17) |
| ■ Max Temp F° (C°) | 150 (65) | 150 (65) | 150 (65) | 150 (65) |
| ■ Body Material | Brass | Brass | PVC | Brass |
| ■ Internal Gasket | Neoprene | Neoprene | Neoprene | Neoprene |
| ■ Stem Plate | PTFE | PTFE | PTFE | PTFE |
| ■ Number Of Control Ports | 6 | 8 | 16 | 8 |
| ■ Inlet Port Size N.P.T. | 1/8-inch | 1/8-inch | 1/4-inch | 1/8-inch |
| ■ Drain Port Size N.P.T. | 1/8-inch | 1/8-inch | 1/4-inch | 1/8-inch |
| ■ Control Port Size N.P.T. | 1/8-inch | 1/8-inch | 1/8-inch | 1/8-inch |
| ■ Power Usage in Watts | 4.0 Max. | 4.0 Max. | 3.5 Max. | 3.5 Max. |

■ Stager Model 48-00



■ Stager Model 51-06



STANDARD STAGER PROGRAMS

| Stager Designation | Number of Position | Application | Suggested Piping Dwg. |
|--------------------|--------------------|--|-----------------------|
| 48-00 | 4 | 4 Position Softener | 1078271 |
| 48-01 | 3 | 3 Position Filter | 1078272 |
| 48-83 | 4 | 3 Tank Sequential Filter, Backwash Only | 1078276 |
| 48-84 | 5 | 4 Tank Sequential Filter, Backwash Only | 1078277 |
| 48-85 | 6 | 5 Tank Sequential Filter, Backwash Only | 1078278 |
| 51-06 | 6 | 6 Position Softener, Timed Brine and Refill | 1078279 |
| 51-07 | 5 | 5 Position Softener, Timed Brine | 1078280 |
| 51-09 | 5 | 5 Position Softener, Timed Brine Refill | 1078281 |
| 51-10 | 5 | 2 Tank Sequential Filter, Backwash and Rinse | 1078282 |
| 51-86 | 7 | 6 Tank Sequential Filter, Backwash Only | 1078286 |
| 51-87 | 8 | 7 Tank Sequential Filter, Backwash Only | 1078287 |
| 58-00 | 9 | 2 Bed De-ionization | 1078290 |
| 58-02 | 9 | 2 Bed De-ionization with De-Gasifier | 1078291 |
| 58-03 | 7 | 3 Tank Sequential Filter, Backwash and Rinse | 1078288 |
| 58-04 | 8 | 4 Tank Sequential Filter, Backwash and Rinse | 1078289 |
| 58-10 | 10 | Mixed Bed De-ionization | 1078292 |
| 58-TA | 8 | Two Tank Alternating Softeners | 1078293 |
| 58-TB | 10 | Two Tank Alternating Softeners, with Timed Brine (Use with 962 Control Only) | 1078294 |

For high pressure applications, Model 96 stagers are available, with all programs as shown in 48 and 51 stagers.

For More Information:

Call **Osmonics** at **(815) 964-9421** or **(800) 245-9421**, or visit **www.osmonics.com**



OSMONICS

North American Sales

2412 Grant Avenue
Rockford, IL
61103-3991
USA
(815) 964-9421 Phone
(815) 964-4449 Fax

Euro/Africa Operations

230 rue Robert Schurman
ZA des Uselles
F-77350 Le Mée sur Seine
FRANCE
+33 1 64 10 2000 Phone
+33 1 64 10 3747 Fax

Asia/Pacific Operations

1044/8 SOI 44/2
Sukhumvit Road Parkanog
Bangkok 10110
THAILAND
+66 2 38 14213 Phone
+66 2 39 18183 Fax